



MODEL 66500

**5 TON HYDRAULIC
FLOOR JACK**



USER'S MANUAL

*This hydraulic jack conforms to all "ANSI / ASME" safety standards.

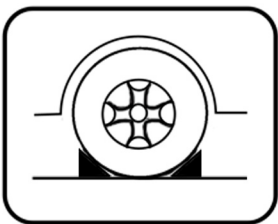
Jackco Transnational Inc. © 2017
Azusa, CA
888-452-2526

To see more jackco products please visit our website at www.jackco.com

FOR YOUR SAFETY

! WARNING

- Read these safety instructions carefully and keep this manual in an easy to find place as you may need to use it again.
- Non-compliance with these rules may result in injury or damage to the jack or the vehicle.
- Do not modify the jack in any way.
- Never exceed the rated capacity of the jack.
- This jack is a lifting device only and should never be used to move the vehicle.
- The jack should be supported on a solid and level ground. Never use the jack in a surface where it may sink into the ground.
- Ensure that there are no persons inside the vehicle to be lifted. Switch off the engine and apply the brake.
- Position the jack under the manufacturer's recommended lifting point for the vehicle. Off-centered loads can slip and accidents may result.
- During raising and lowering of the load, precautions should be taken to avoid movement of the vehicle. Traffic may cause the raised vehicle to rock during roadside use of the jack.
- Never work under a raised vehicle without supporting it with mechanical/jack stands.
- Never position any part of your body near the movable parts of the jack.
- Ensure that there are no persons or obstructions underneath the vehicle prior to lowering.
- Do not adjust the overload bypass valve under any circumstance.



Use wheel chocks appropriately.

SPECIFICATION

| | | | |
|--------------|----------|--------------|-----------|
| Capacity: | 5 Ton | Lift Range : | 16.1 inch |
| Max Height : | 22 inch | Gross Weight | 222 lbs |
| Min Height : | 5.9 inch | Net Weight : | 191 lbs |

OPERATING INSTRUCTION

Important: Sometimes during shipment and handling, air gets into the hydraulic system, causing poor lifting performance. Before initial operation, purge any air from the system by fully opening release (Turn handle knob (#3-8) counter-clockwise). Then, while holding the saddle down, pump pedal (#3-2) rapidly several times.

To Lift a Vehicle:

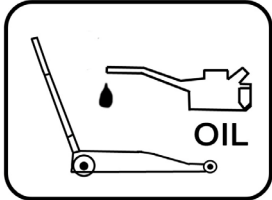
1. Turn handle knob (#3-8) clockwise until resistance is felt to close release valve. Do not over-tighten.
2. Place jack directly under object to be lifted. Make sure saddle takes up weight firmly and centrally. Check positioning under slight load to confirm jack or load will not slip.
3. Raise jack by pumping handle until desired height is reached. After lifting, secure load by appropriate means. Do not use jack as the only means of support.

To Lower a vehicle:

1. Slowly turn handle knob (#3-8) counter-clockwise. Speed of descent is controlled by amount release valve is turned.

MAINTENANCE

Important: Both the maintenance and repair of the jack may only be performed by qualified persons, who have sufficient knowledge of the hydraulic system used in these jacks



Regularly lubricate the moving parts in the wheels, arms, handle and pump roller pin.

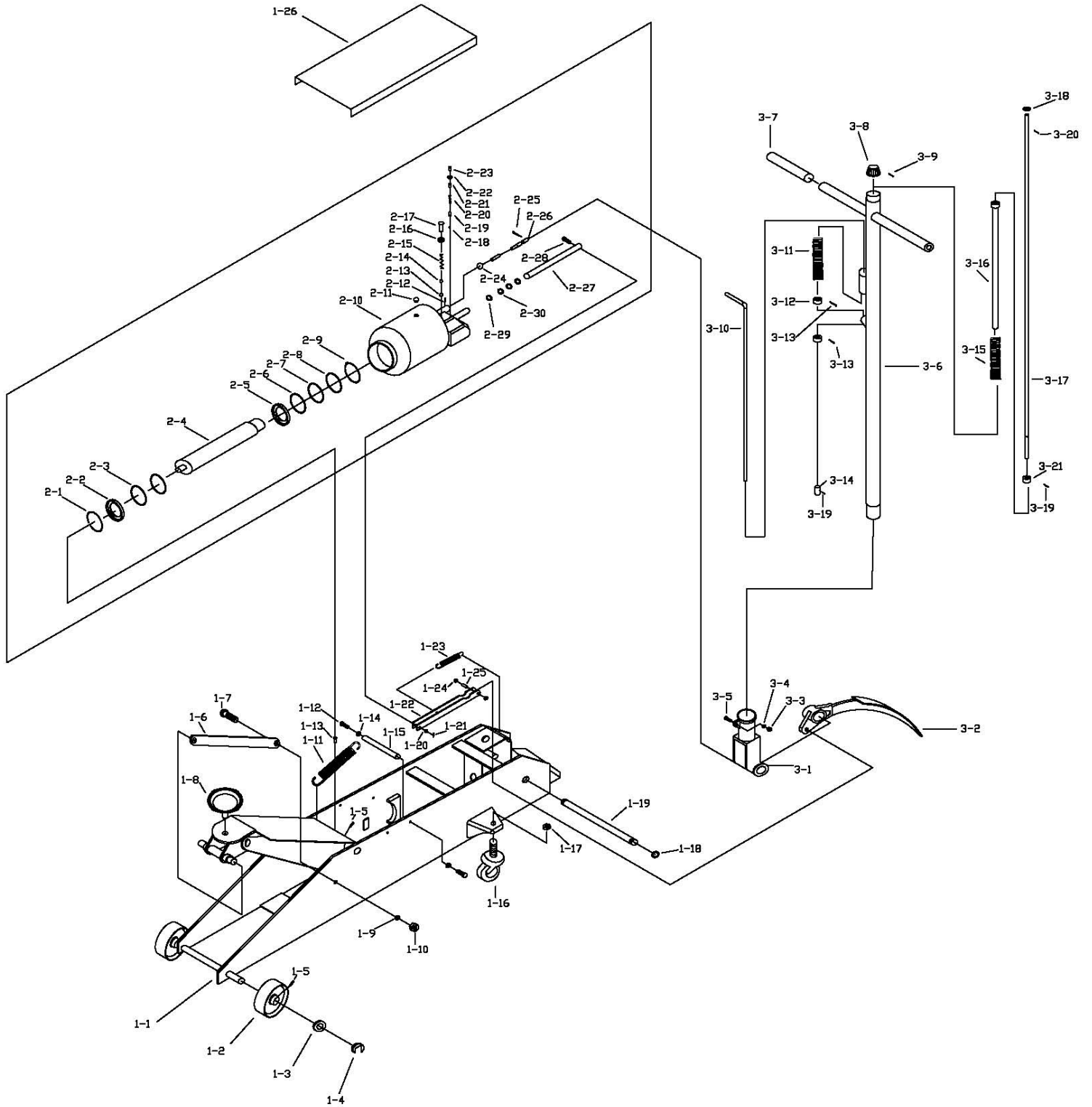
- Checking hydraulic oil level
 1. Open release valve (Turn handle knob (#3-8) counter -clockwise and push ram to its lowest position.
 2. Remove filler plug.
 3. Fill the clean hydraulic jack oil .Do not use hydraulic brake fluid .
 4. Reinstall filler plug .
- Only original replacement parts should be used.
Extremely Important: never use brake fluid.
- When the jack is not in use, make sure the lifting arm is fully retracted to avoid corrosion.
- Keep the jack in a clean, dry place and out of children's reach.
- Replace the hydraulic fluid in the reservoir at least once a year. To check the hydraulic fluid level, lower the lifting arm completely.
- The hydraulic fluid level should be just below the filler plug. Replenish if necessary, and reinstall the rubber filler plug. Excessive hydraulic oil may render the jack inoperative.
- Inspect the jack before each use. Take corrective action or remove the jack from service if any of the following problems are found:
 - a. Cracked or damaged frame
 - b. Leaking hydraulic fluid
 - c. Scored, damaged piston rod
 - d. Loose hardware
 - e. Modified equipment
- Keep warning labels and instructional decals clean and readable. You may use a mild soap solution to wash external surfaces of the jack.

TROUBLESHOOTING

Caution: To prevent personal injury, all inspection, maintenance, and repair procedures must be performed when the jack is free of load.

| Trouble | Cause | Solution |
|-----------------------|--|---|
| Does not lift at all | 1) No hydraulic oil | 1) Fill hydraulic oil |
| | 2) Release valve opened | 2) Try again to rotate the handle to insure position |
| | 3) mal-functioned delivery and / or by-pass valve | 3) Check for dust of foreign debris and clean |
| | 4) Packings defective | 4) Replace packing |
| Lifting only half way | 5) Lack of hydraulic oil (in most case) | 5) Fill hydraulic oil |
| Load will not hold | 6) Improper contact of suction valve, delivery and/ or by-pass | 6) Clean valves and adjust valves contact a) Lifting is improper contact of suction valve b) Lowering is improper contact of delivery valve |
| | 7) Worn out piston packing | 7) Replace packing |
| Does not lower | 8) Release valve obstructed by foreign debris | 8) Clean release valve |
| Poor lifting | 9) Defective pump packings | 9) Clean valves replace packings, replace hydraulic oil |

PARTS LIST



| Part No. | Description | Q'ty | Part No. | Description | Q'ty |
|----------|---------------------|------|----------|-----------------------|------|
| 1-1 | Frame | 1 | 2-14 | Steel ball ϕ 9 | 1 |
| 1-2 | Front wheel | 2 | 2-15 | Spring | 1 |
| 1-3 | Washer | 2 | 2-16 | Copper washer | 1 |
| 1-4 | Snap ring | 2 | 2-17 | Bolt M12x20 | 1 |
| 1-5 | Grease fitting | 3 | 2-18 | Steel ball | 1 |
| 1-6 | Rod link | 2 | 2-19 | Valve seat | 1 |
| 1-7 | Bolt | 2 | 2-20 | Spring | 1 |
| 1-8 | Saddle | 1 | 2-21 | Screw | 1 |
| 1-9 | Lock washer | 2 | 2-22 | O-ring | 1 |
| 1-10 | Nut | 2 | 2-23 | Safety valve screw | 1 |
| 1-11 | Spring | 1 | 2-24 | Seals | 1 |
| 1-12 | Bolt M10x25 | 2 | 2-25 | Pin | 1 |
| 1-13 | Bolt M10x16 | 1 | 2-26 | Release valve rod | 1 |
| 1-14 | Snap ring | 2 | 2-27 | Cylinder pump plunger | 1 |
| 1-15 | Shaft | 1 | 2-28 | Pin | 1 |
| 1-16 | Rear wheel | 2 | 2-29 | O-ring | 1 |
| 1-17 | Nut | 2 | 2-30 | Nylon gasket | 2 |
| 1-18 | Snap ring | 2 | 3-1 | Handle socket | 1 |
| 1-19 | Shaft | 1 | 3-2 | Pedal | 1 |
| 1-20 | Washer | 1 | 3-3 | Nut M10 | 1 |
| 1-21 | Pin | 1 | 3-4 | Washer | 1 |
| 1-22 | Connection bar | 1 | 3-5 | Bolt M10x35 | 1 |
| 1-23 | Spring | 1 | 3-6 | Handle | 1 |
| 1-24 | Snap ring | 2 | 3-7 | Handle sleeve | 2 |
| 1-25 | Shaft | 1 | 3-8 | Knob | 1 |
| 1-26 | Cover board | 1 | 3-9 | Pin | 1 |
| 2-1 | Snap ring | 2 | 3-10 | Control rod | 1 |
| 2-2 | Washer | 1 | 3-11 | Spring | 1 |
| 2-3 | O-ring | 1 | 3-12 | Washer | 2 |
| 2-4 | Piston rod | 1 | 3-13 | Screw | 2 |
| 2-5 | Piston ring | 1 | 3-14 | Rod joint | 1 |
| 2-6 | Sealing washer | 1 | 3-15 | Spring | 1 |
| 2-7 | O-ring | 1 | 3-16 | Universal joint ass'y | 1 |
| 2-8 | O-ring retainer | 1 | 3-17 | Convey rod | 1 |
| 2-9 | Snap ring | 1 | 3-18 | Washer | 1 |
| 2-10 | Oil cylinder ass'y | 1 | 3-19 | Pin | 2 |
| 2-11 | Oil filler plug | 1 | 3-20 | Pin | 1 |
| 2-12 | pin | 2 | 3-21 | washer | 1 |
| 2-13 | Steel ball ϕ 6 | 1 | | | |

LIMITED ONE YEAR WARRANTY

Jackco Transnational Inc. warrants all Jackco equipment and tools to the original purchaser against any manufacturing defect in material or workmanship for a period of one (1) year from the original date of purchase. If the defective equipment or tool is determined to be covered under this warranty, it shall be repaired or replaced at manufacturer's discretion without charge, provided that the equipment or tool must be returned with proof of purchase to the dealer and freight prepaid, if returned to the manufacturer. This warranty shall not apply to damage due to accident, negligent use, and lack of maintenance, abuse or applications other than the specific function the equipment or tool is designed for.

No other warranties, expressed or implied, including those of merchantability or fitness for particular purpose shall be applicable to Jackco except as specifically stated herein. In no event shall Jackco be liable to any party for any special, direct, indirect, consequential, punitive damage of any nature caused by the sale or use of the equipment or tool.

Note: This warranty gives the original purchaser specific legal rights which may vary from state to state.

Jackco Transnational Inc. © 2017
Azusa, CA
888-452-2526 www.jackco.com