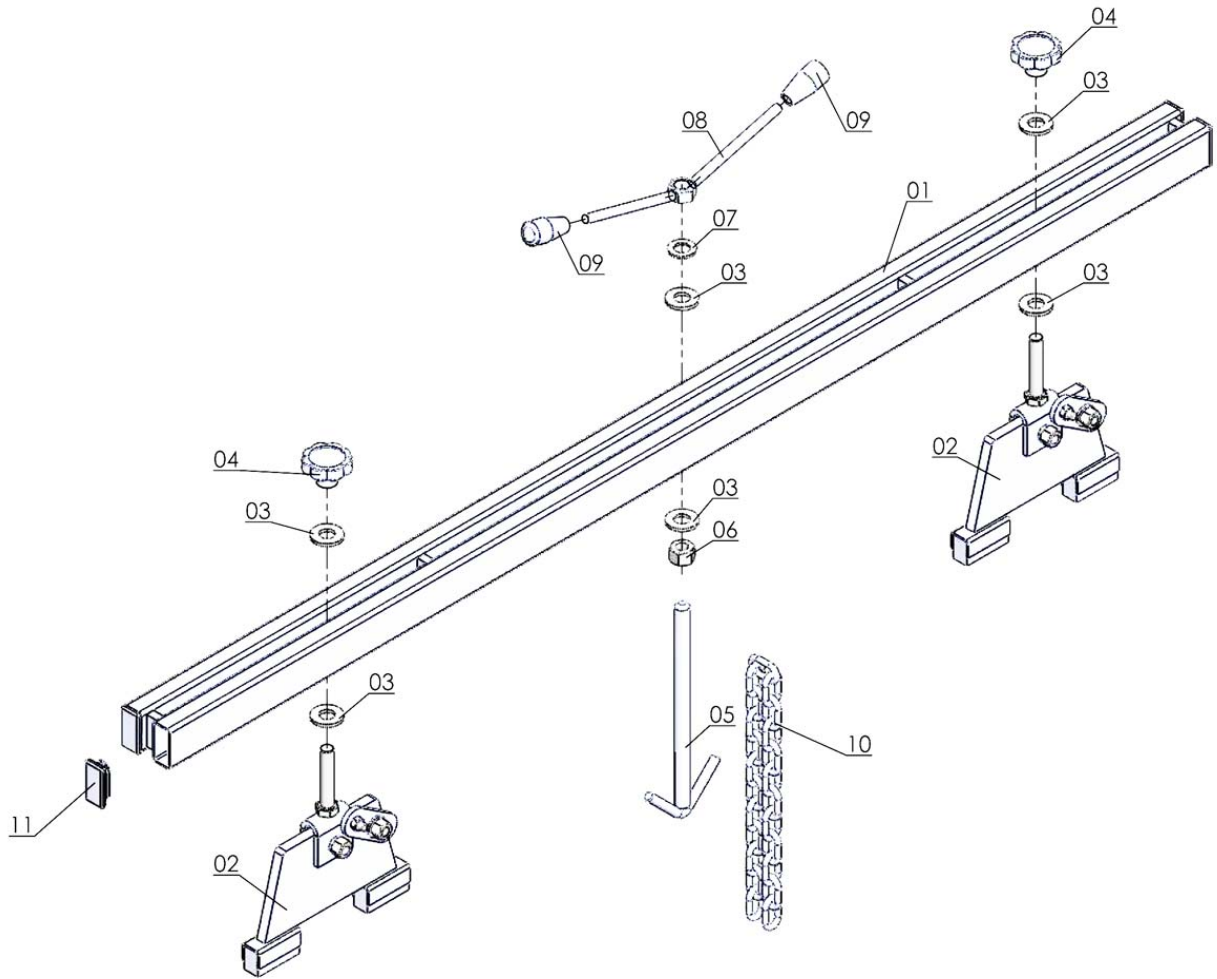


Model 22050 Engine Holder



Part No.	Description	Q'ty
01	SUPPORT TUBE	1
02	SUPPORT	2
03	WASHER	6
04	KNOB	2
05	SCREW	1
06	NUT	1
07	WASHER	1
08	HANDLE	1
09	GRIP	2
10	CHAIN	1
11	COVER	4