



## MODEL 892 POWER POST 10 TON CAPACITY



## USER'S MANUAL

Before using this product, read this manual and follow all its Safety Rules and Operating Instructions

(\* Hydraulic Pump with Hose / Chain / Anchor pots are sold separately)

Jackco Transnational Inc. ©2009  
South El Monte, CA  
[www.jackco.com](http://www.jackco.com)

## LIMITED ONE YEAR WARRANTY

Jackco Transnational Inc. warrants all Jackco equipment and tools to the original purchaser against any manufacturing defect in material or workmanship for a period of one (1) year from the original date of purchase. If the defective equipment or tool is determined to be covered under this warranty, it shall be repaired or replaced at manufacturer's discretion without charge, provided that the equipment or tool must be returned with proof of purchase to the dealer and freight prepaid, if returned to the manufacturer. This warranty shall not apply to damage due to accident, negligent use, lack of maintenance, abuse or applications other than the specific function the equipment or tool is designed for.

No other warranties, expressed or implied, including those of merchantability or fitness for particular purpose shall be applicable to Jackco except as specifically stated herein. In no event shall Jackco be liable to any party for any special, direct, indirect, consequential, punitive damage of any nature caused by the sale or use of the equipment or tool.

Note: This warranty gives the original purchaser specific legal rights which may vary from state to state.

## WARNING

- **All WARNING** statements must be carefully observed to help prevent personal injury.
- Do not exceed rated capacity.
- All device used must be rated for the same maximum operating pressure, correctly connected and compatible with the hydraulic fluid used. An improperly matched system can cause the system to fail and possibly cause serious injury.
- Use only on hard, level surfaces capable of sustaining rated capacity loads.
- For safety, operate equipment at least **6 feet** from either side of post and chains.
- Do not stand behind post, chain and clamps when under load.
- Do not use the safety chain under floating pulley as a "pull" chain.
- On severe pulls, use secondary safety ties and/or tarps and blankets around chains.
- Do not pull chain over sharp corners. Use protective pads.
- Listen for popping noises indicating weld fractures and possible sudden separation.
- Avoid sudden jerks when applying tension to chain.
- Wear protective clothing and safety goggles to reduce the risk of injection.
- Do not wear sandals and jewelry when operating this equipment.
- Never use chain assemblies not intended for collision repair equipment.
- The chain/hooks must be 3/8" trade size, heat treated, alloy type rated for "collision repair" applications.
- Do not cut chain with cutting torches. Heat will degrade chain.
- Remove damaged, kinked, twisted, stretched or rusty chain from service so it cannot be accidentally reused.
- Monitor pressure and load at all times.
- Always verify load with calibrated load cell and indicator, known good pressure gauge or equivalent devices.
- As the load is lifted, use blocking and cribbing to guard against a falling load.
- Never allow personnel to work on, under or around a load before it is properly supported by appropriate mechanical means. Never rely on hydraulic pressure alone to support load.
- All personnel must be clear before lowering.
- Never try to disassemble a ram or pump. Refer repairs to qualified, authorized personnel.
- Do not modify this device.
- When the ram is not in use, keep ram fully retracted.
- Failure to heed these markings may result in personal injury and/or property damage.
- Never operate pump with release valve closed and disconnected from application. If operated in this condition, the hose and connections become pressurized. This increases burst hazard. Damage may occur to pump and its components
- Avoid short runs of straight line tubing. Straight line runs do not provide for expansion and contraction due to pressure and/or temperature changes.
- Reduce stress in tube lines. Long tubing runs should be supported by brackets or clips. Before operating the pump, all hose connections must be tightened with the proper tools. Do not over tighten. Connections should only be tightened securely and leak-free. Over tightening can cause premature thread failure or high pressure fittings to burst.
- Should a hydraulic hose ever rupture, burst or need to be disconnected, immediately shut off the pump and release all pressure. Never attempt to grasp a leaking pressurized hose with your hands. The force of escaping hydraulic fluid can inflict injury.
- Do not subject the hose to potential hazard such as fire, sharp objects, extreme heat or cold or heavy impact.
- Do not allow the hose to kink, twist, curl, crush, cut or bend so tightly that the fluid flow within the hose is blocked or reduced. Periodically inspect the hose for wear, because any of these conditions can damage the hose and possibly result in personal injury.
- Do not pull, position or move setup by the hose. Doing so can damage the hose and possibly cause personal injury.
- Hose material and coupler seals must be compatible with hydraulic fluid used. Hoses also must not come in contact with corrosive materials such as battery acid, creosote-impregnated objects and wet paint. Hose deterioration due to corrosive material can result in personal injury. Never paint a coupler or hose.
- Use only approved accessories and approved hydraulic fluid.
- To help prevent material fatigue if the ram is to be used in a continuous application, the load should not exceed 85% of the rated capacity.
- Use an approved, high-grade pipe thread sealant to seal all hydraulic connections. Teflon tape can be used if only one layer of tape is used and it is applied carefully (two threads back) to prevent the tape from being introduced into hydraulic system. A piece of tape could travel through the system and obstruct the flow of fluid and adversely affect function.

## PRODUCT DESCRIPTION

Power Post is designed for the rated capacity lifting and pulling jobs. This power post can shall used with common pot patterns. Operator can create their own custom pull system. A wide variety of applications exist for this category of product. Special skill, knowledge and training may be required for a specific task and the product may not be suitable for all the jobs described above. Unsuitable applications would include applications that call for a device to move, level or support persons, animals, hazardous materials, mobile homes/ dwellings in general, mirrors and/or plate glass, and/or to connect/secure hatches, components, etc. between bulkheads. The user must ultimately make the decision regarding suitability of the product for any given task and assume the responsibility of safety for him and others in the work area.

## SPECIFICATIONS

| Model | Capacity | Power Post Frame |                        |                                | Ram    |
|-------|----------|------------------|------------------------|--------------------------------|--------|
|       |          | Height           | Base Size<br>( L x W ) | Floating<br>Pulley<br>Position | Stroke |
| 892   | 10 ton   | 68.5"            | 33" x 16"              | 12                             | 8"     |

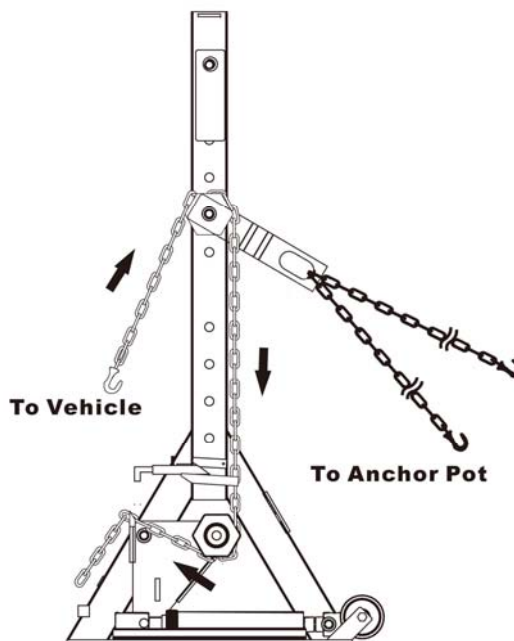


Figure 1 – Chain Routing Instruction



- If oil leakage is detected, discontinue use of the ram immediately. The ram could develop excessive pressure and cause the ram, hose or coupler to burst which could cause serious injury or death.
- When loading a ram, always insure that coupler, port, and adapter threads have not been damaged. Failure to do so could cause serious injury or death.

## SET UP

**Suggestion:** install a pressure gauge (not included) on your pump to indicate a relative level of pulling force.

1. Secure the threaded ram to bottom of power post, then connect ram to air pump with hydraulic hose provided.
2. Slide the pull chain thru the chain pulley, idle pulley and power lever arm.
3. Secure the safety chain on chain pulley to an anchor pot.

Note: The dual chain helps to divide the pull force exerted by the post and also allows positioning the post between two anchor pots.

## OPERATION

**Safety Message!** Operate equipment from at least 6 feet from either side of post and chains.

1. Adjust the chain pulley (# 21) to desire height to pull using the handle bar.
2. Secure the pull chain before pulling object.
3. To operate, activate air pump or use the hand pump until desire height or position is reached. Always monitor pressure and load. Use caution when nearing this maximum operating ram pressure.

**Caution!** Never operate pump with release valve closed and disconnected from ram. If operated in this condition, the hose and connections become pressurized. This increases burst hazard. Damage may occur to pump and its components

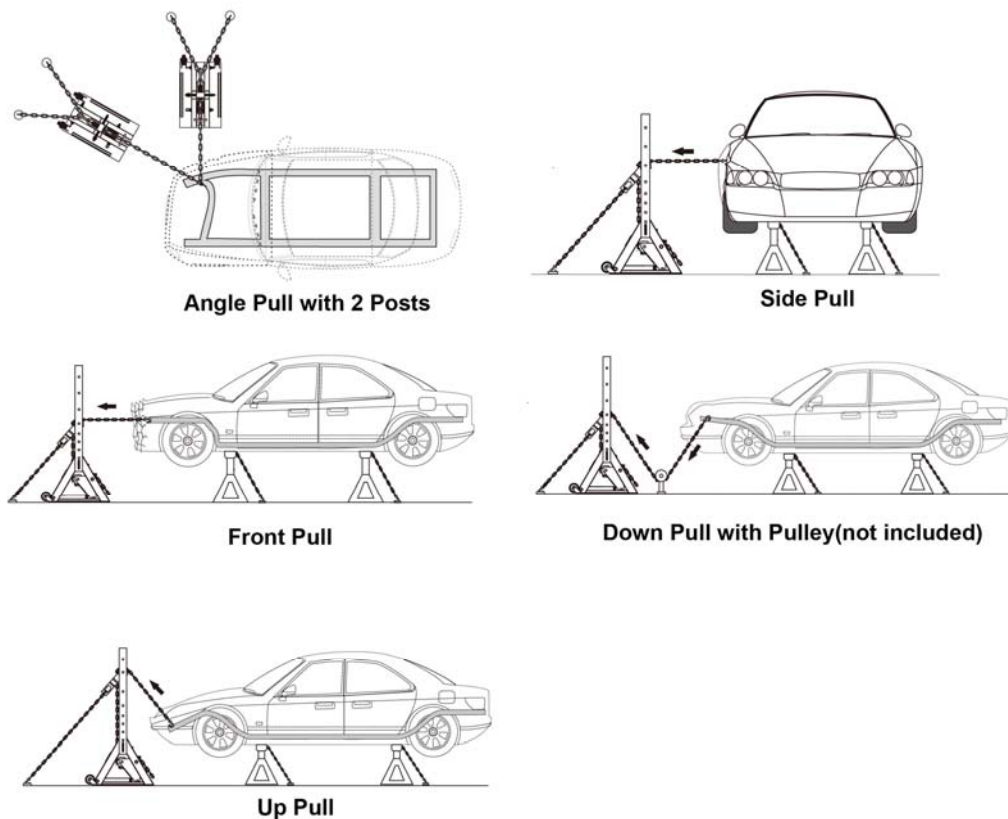


Figure 2 - Illustrations of Common Applications

## MAINTENANCE

1. Inspect and replace damaged, kinked, twisted, stretched or rusty chain.
2. Inspect hoses and connections. Replace damage components immediately with Jackco replacement parts only.
3. Tighten connections as needed. Use non-hardening pipe thread compound when servicing connections.
4. Use only good quality hydraulic fluid. We recommend Jackco Model 01010 Hydraulic Oil or equivalent.

### Lubrication

Use a light machine oil to lubricate pivot points, hinges and all joints of post that move under heavy load.

### Storage

1. Depressurize and disconnect hydraulic hoses from ram.
2. Wipe clean and store in dry environment. Avoid extreme temperatures.

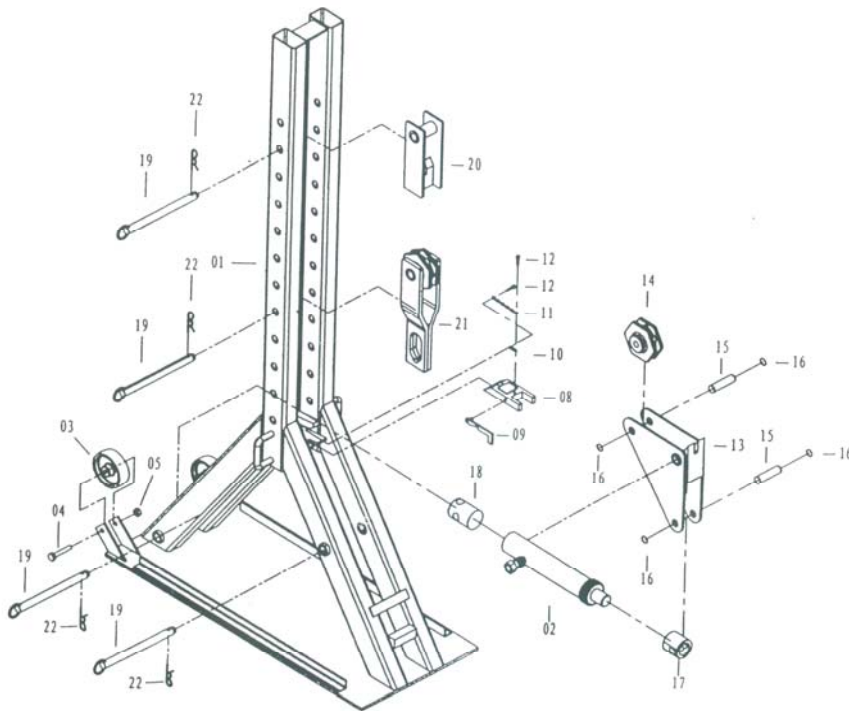
## TROUBLESHOOTING

| Symptom  | Possible Causes  | Correct Action   |
|--|--|--|
| System does not maintain pressure                            | <ul style="list-style-type: none"><li>• Hydraulic unit malfunction</li></ul>   | <ul style="list-style-type: none"><li>• Replace or repair ram and / or pump</li></ul>  |
| Ram does not return fluid to pump(i.e. ram will not retract) | <ul style="list-style-type: none"><li>• Reservoir overfilled</li><li>• Ram damaged</li><li>• Malfunctioning coupler, damaged application</li></ul> | <ul style="list-style-type: none"><li>• Drain fluid to proper level</li><li>• Replace Ram</li><li>• Secure load by other means.</li><li>• Depressurize pump and hose, remove coupler and/ or application, and then replace with a new one.</li></ul> |
| Poor performance   | <ul style="list-style-type: none"><li>• Fluid level low</li><li>• Air trapped in system</li></ul>  | <ul style="list-style-type: none"><li>• Ensure proper fluid level</li><li>• With ram fully retracted, remove oil filler screw to let pressurized air escape.</li></ul>   |
| Will not lift to full extension                              | <ul style="list-style-type: none"><li>• Fluid level low</li></ul>  | <ul style="list-style-type: none"><li>• Ensure proper fluid level</li></ul>  |

## PARTS LIST

Please refer to the Parts drawing when ordering parts. Not all components are replacement items, but are illustrated as a convenient reference of location and position in the assembly sequence. When ordering parts, please give model no., and description below. Call or write for current pricing: Jackco Transnational Inc. South El Monte, CA 91733 TEL: (626)582-8055 or visit us at [www.jackco.com](http://www.jackco.com)

| Part # | Description                      | Qty |
|--------|----------------------------------|-----|
| 01     | Frame                            | 1   |
| 02     | 10 Ton Ram                       | 1   |
| 03     | Wheel                            | 2   |
| 04     | Hex Head Screw (3/8" x 2- 9/16") | 2   |
| 05     | Hex Head Nut (3/8)               | 2   |
| 08     | Lock Plate                       | 1   |
| 09     | Stop Plate                       | 1   |
| 10     | Spring                           | 1   |
| 11     | Chain                            | 1   |
| 12     | Inner Hex Screw (3/16 x 3/4")    | 2   |
| 13     | Lever Arm                        | 1   |
| 14     | Swivel Castor                    | 1   |
| 15     | Pin                              | 2   |
| 16     | Snap Ring "C"                    | 4   |
| 17     | Female Adapter (Snap)            | 1   |
| 18     | male Adapter (Snap)              | 1   |
| 19     | Spindle                          | 4   |
| 20     | Secondary Anchor                 | 1   |
| 21     | Chain Pulley                     | 1   |
| 22     | Spring Hair Pin Clip             | 4   |



Replacement Parts Illustration for Model 892